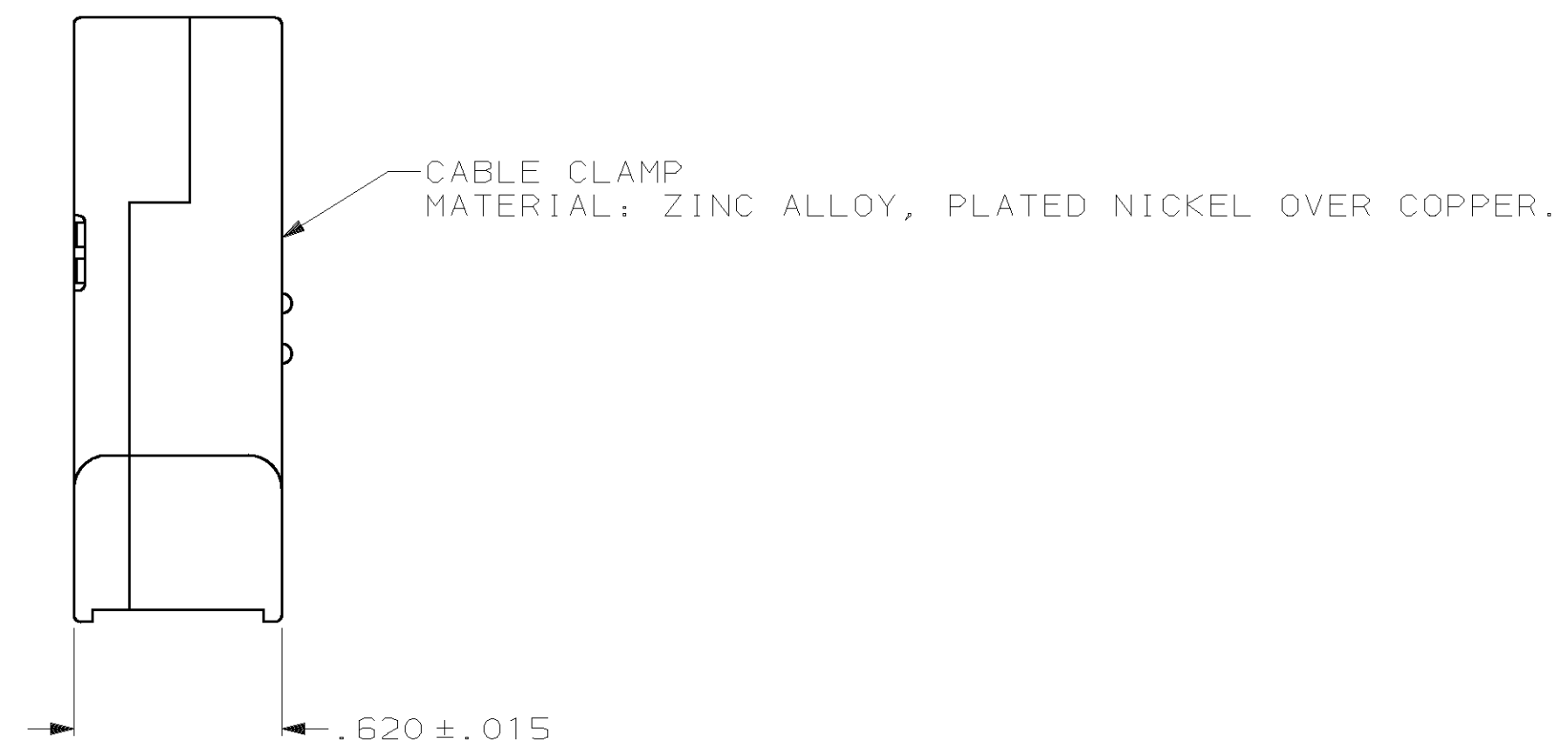
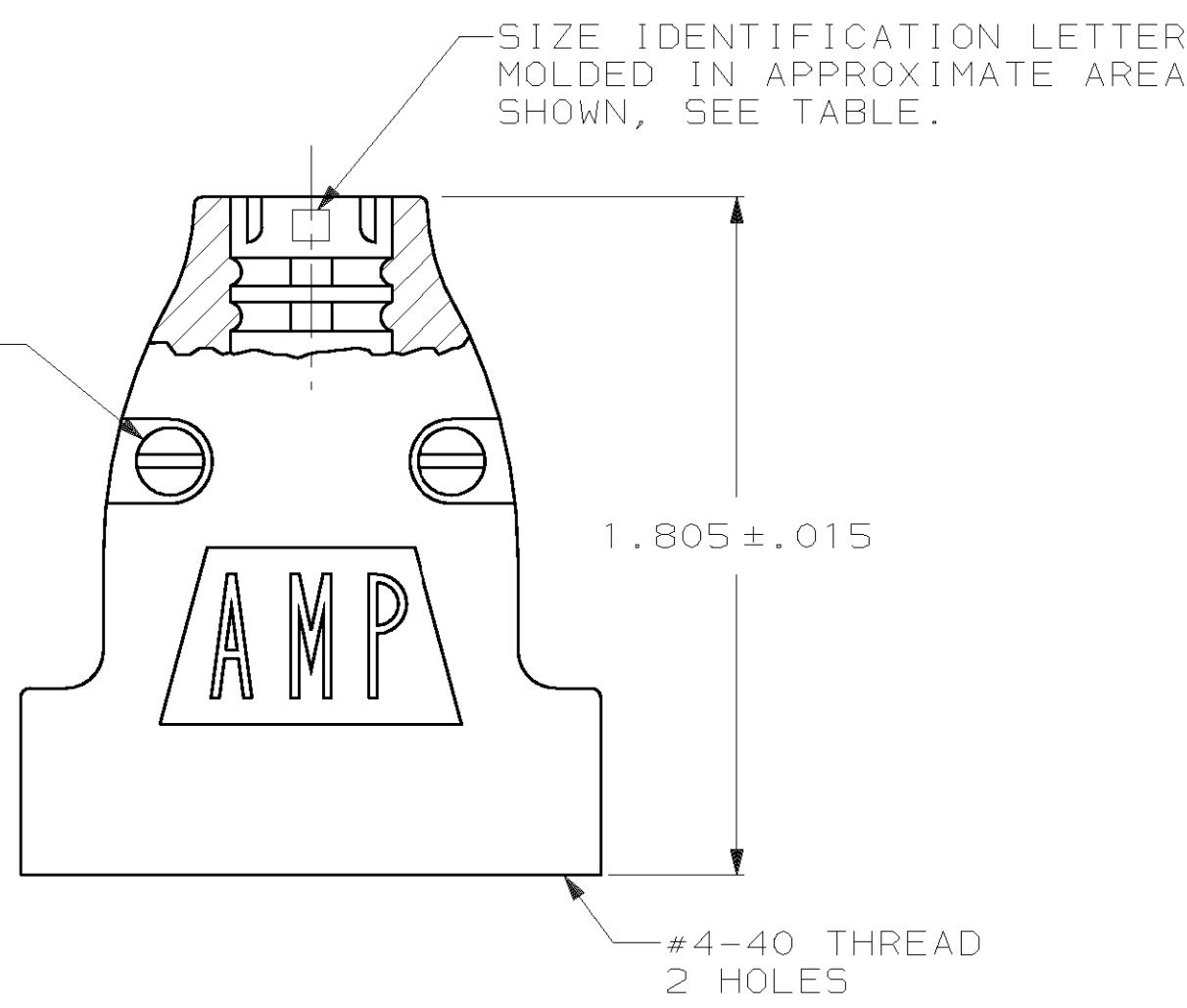
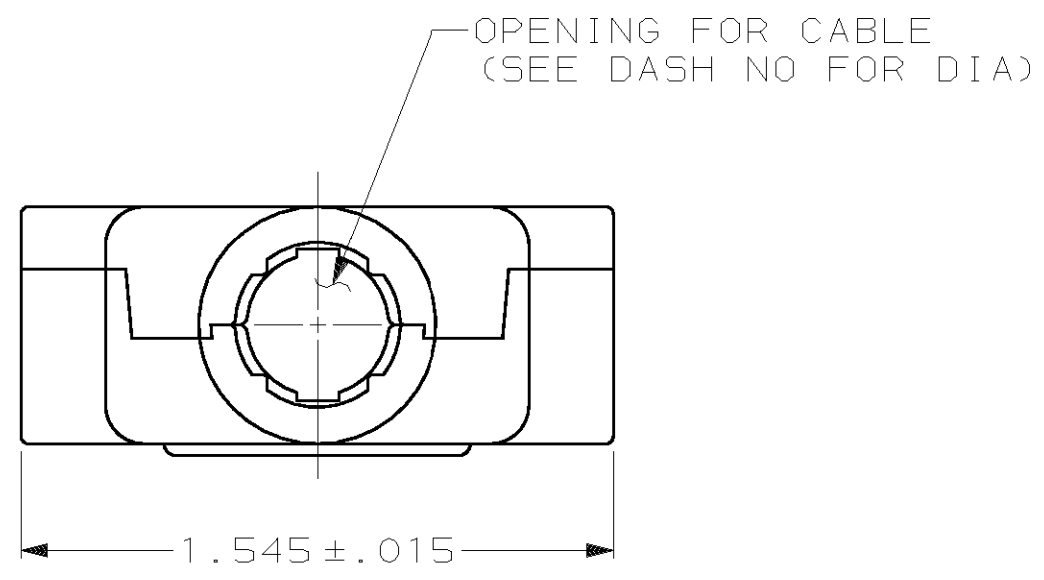



THIS DRAWING IS UNPUBLISHED. RELEASED FOR PUBLICATION, 19 .
 © COPYRIGHT 19 BY AMP INCORPORATED. ALL INTERNATIONAL RIGHTS RESERVED.

LOC		DIST		REVISIONS				
BD	0	P	F	ZONE	LTR	DESCRIPTION	DATE	APPD
					B	REDRAWN	7-90	-
					C	OBS -4 PER EC 0U1D-0155-00	02 FEB 01	DK



1. PARTS PACKAGED UNASSEMBLED.

SIZE IDENT LETTER	MAX CABLE DIA	PART NUMBER
B	.225	745919-4
E	.300	745919-3
H	.375	745919-2
K	.430	745919-1

DO NOT SCALE PRINT. UNLESS SPECIFIED DIMENSIONS IN INCHES TOLERANCES ON : 2 PLC DEC ± - 3 PLC DEC ± .005 ANGLES ± -		DR 7-25-90 J GALLUCCI BG		 AMP INCORPORATED Harrisburg, Pa. 17105		
MATERIAL SEE CALLOUTS		CHK - APPD - APPD - PRODUCT SPEC -				NAME CABLE CLAMP KIT, SIZE 2, 15 POSITION, 180 DEGREES, AMPLIMITE™ SERIES
FINISH SEE CALLOUTS		APPLICATION SPEC -		SIZE C	FSCM NO 00779	DRAWING NO 745919
		WEIGHT -		SCALE 2:1	SHEET 1 OF 1	